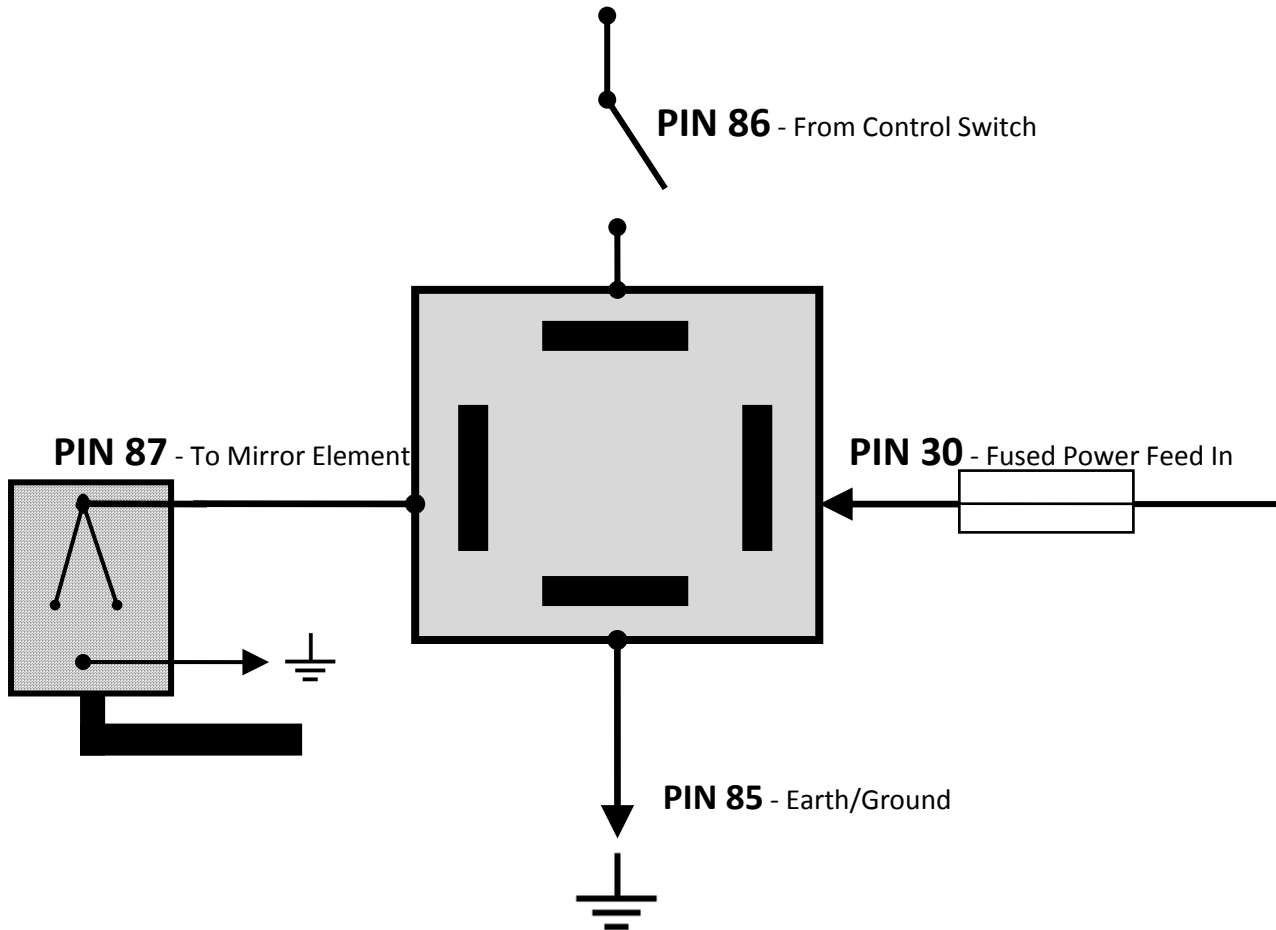
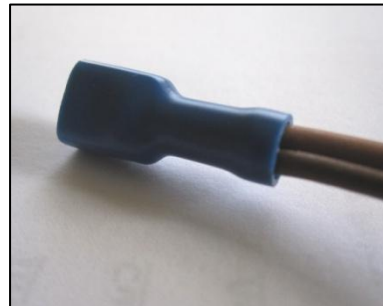




MUD-UK Defender Heated Mirror Element Kit



- Each heated element is rated at 9.25w. 2 x elements combined draw 1.6amps
- Use an ignition fed supply to your control switch
- Each heated mirror element has three wires. The two BROWN wires are the positive/live wires. The BLUE wire is the negative/earth wire.
- The two BROWN wires will need to be joined together into one of the supplied wire connectors as in the illustration below.
- Protect any wiring where it passes through exposed metalwork using the supplied grommets.



A useful online reference showing an effective way to route the wiring can be found here:

<http://la7dja.org/defender/mirror-heating/>